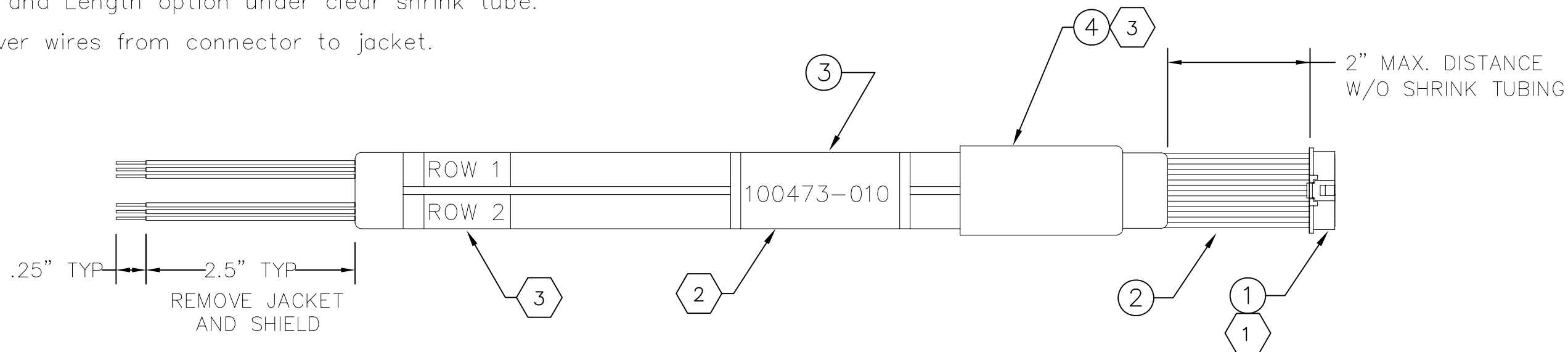


4	Shrink Tube, Black	Generic	As required
3	Shrink Tube, Clear	Generic	As required
2	Wire, 28 AWG, 15 Conductor	Alpha 3470/15C or Equiv	As per Length Option
1	30 position connector	Molex 501189-3010	1
ITEM NO.	DESCRIPTION	SPECIFICATIONS	QTY

BILL OF MATERIAL

NOTES:

- ① Crimp Ferrules onto wires, 30 pl.
- ② Add Metrix P/N 100473 and Length option under clear shrink tube.
- ③ Apply shrink tube to cover wires from connector to jacket.



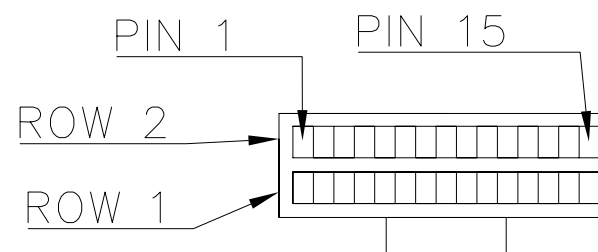
WIRE COLOR CHART

ROW 1 PIN	SLOT	CHANNEL	COLOR
1	3	1	Red
2	4	1	White
3	5	1	Green
4	6	1	Orange
5	7	1	Blue
6	8	1	Brown
7	9	1	Yellow
8	COM	COM	Black
9	3	2	Violet
10	4	2	Slate
11	5	2	Pink
12	6	2	Tan
13	7	2	Red/Green
14	8	2	Red/Yellow
15	9	2	Red/Black

WIRE COLOR CHART

ROW 2 PIN	SLOT	CHANNEL	COLOR
1	3	3	Red
2	4	3	White
3	5	3	Green
4	6	3	Orange
5	7	3	Blue
6	8	3	Brown
7	9	3	Yellow
8	COM	COM	Black
9	3	4	Violet
10	4	4	Slate
11	5	4	Pink
12	6	4	Tan
13	7	4	Red/Green
14	8	4	Red/Yellow
15	9	4	Red/Black

CONNECTOR PIN LOCATIONS



NOT TO SCALE

LENGTH OPTION:  
METRIX P/N: 100473-AAA  
AAA=LENGTH IN FT FROM  
005 TO 999

EXAMPLE FOR 10 FT CABLE:  
*100473-010*

MATERIAL: SEE BILL OF MATERIAL	UNLESS OTHERWISE SPECIFIED DIMENSIONS ARE IN INCHES. ALL CORNERS BROKEN TO .010 MIN RADIUS AND TOLERANCES ARE:	APPROVALS	DATE
FINISH: NONE	FRACTIONS: DECIMALS: ±1/64 .XX ±.01 ANGLES: .XXX ±.005 ±1' SURFACE FINISH 64	DRAWN BY: L. CARLSON	06-08-11
THIS DOCUMENT AND ALL INFORMATION HEREON IS THE PROPERTY OF METRIX INSTRUMENT CO. APPROVAL MUST BE OBTAINED BEFORE IT IS REPRODUCED OR INFORMATION HEREON IS ISSUED TO A THIRD PARTY. THIS DOCUMENT MUST BE RETURNED UPON REQUEST.	NEXT ASSY USED ON APPLICATION	APPROVED BY:	REV. B
		DO NOT SCALE DRAWING	DRAWING NO. 100473-AAA
SCALE: 1:1		DOCUMENT NO.: 100473-AAA-DWG	SHEET: 1 of 1

**METRIX**  
HOUSTON, TEXAS U.S.A.

CABLE, SETPOINT RCM 30  
POS EXTERNAL  
CONNECTION